

CI/SfB	(31)	Zt4
CAW P10		
Uniclass L675:P91		
March 2012		



Compriband TP600

Impregnated Joint Sealing Tape

KEY BENEFITS SUMMARY

- Weather seal for wind-driven rain
- Breathable – for vapour diffusion
- Continually expands and contracts to accommodate movement whilst still sealing the joints
- Self-adhesive side to aid initial location
- Thermal and acoustic insulation
- Can be painted with commercially available vinyl emulsions

PRODUCT INFORMATION

Description

illbruck Compriband TP600 is an impregnated joint sealing tape for use in a wide variety of movement joints and other applications. Weather tight against the most severe combinations of wind and rain, it satisfies most expectations as an external weather seal in building and civil engineering applications. With full BBA approval, the product has been extensively tested and has a proven reputation across both the UK and Europe. (Cert. 96/3309)

Material

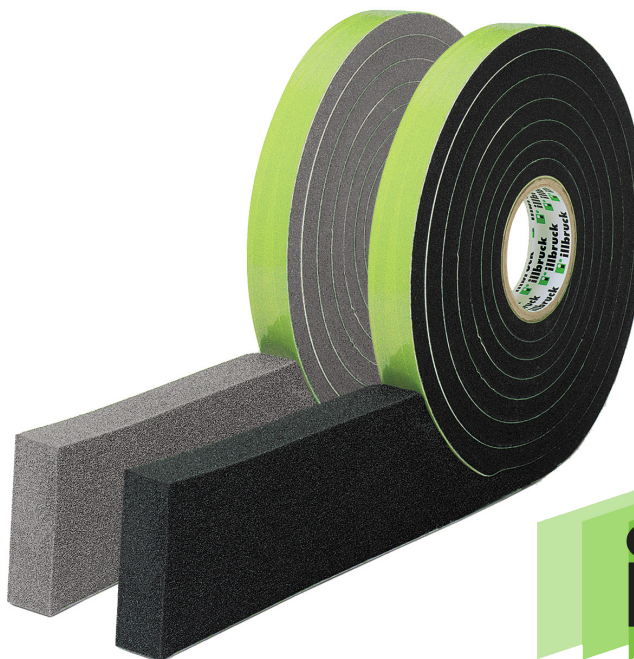
A soft and flexible open cell polyurethane foam, impregnated with an acrylic based, UV stabilised resin. The resin is water repellent and contains a fire retardant. illbruck Compriband TP600 is supplied as pre-compressed rolls with a self-adhesive side to aid initial location.

Colour

Anthracite and Grey

"i3" Window Sealing System

Part of the state of the art, ift-approved sealing system, with a 10 year guarantee. This system fulfils the EnEV requirements with regards to airtightness



Dimensions

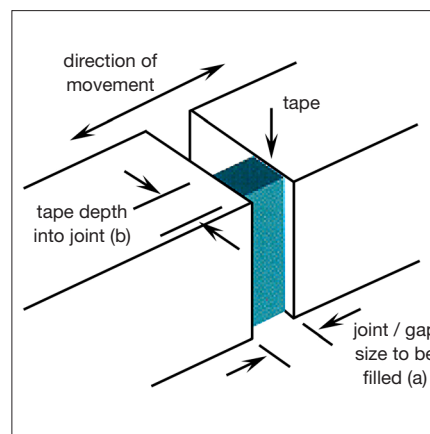
Joint / gap size to be filled (mm) (a)	Tape depth into joint (mm) (b)	Tape order reference	Roll Length (m)
2	10	10 / 2	12.5
3	10	10 / 3	10.0
	20	20 / 3	10.0
3-7	10	10 / 3-7	8.0
	15	15 / 3-7	8.0
	20	20 / 3-7	8.0
5-10	10	10 / 5-10	5.6
	15	15 / 5-10	5.6
	20	20 / 5-10	5.6
7-12	15	15 / 7-12	4.3
	20	20 / 7-12	4.3
	25	25 / 7-12	4.3
8-15	15	15 / 8-15	3.3
	20	20 / 8-15	3.3
	30	30 / 8-15	3.3
10-18	20	20 / 10-18	6.5
	25	25 / 10-18	6.5
	30	30 / 10-18	6.5
13-24	20	20 / 13-24	5.2
	25	25 / 13-24	5.2
	30	30 / 13-24	5.2

Joint / gap size to be filled (mm) (a)	Tape depth into joint (mm) (b)	Tape order reference	Roll Length (m)
17-32	30	30 / 17-32	4.0
	35	35 / 17-32	4.0
28-40	40	40 / 28-40	2.7

Tape Selection

The tape should be selected so that the roll width (joint depth) is at least equal to the tape thickness (joint width) in service.

For applications outside of this instruction, please consult our sales office.



Compriband TP600

Tremco illbruck Limited
 3A Walton Road, Pattinson North
 Washington, Tyne & Wear NE38 8QA
 Tel: 0191 419 0505 Fax: 0191 419 2200
 Email: uk.sales@tremco-illbruck.com
 Website: www.tremco-illbruck.co.uk

Technical Specification

Material	Polyurethane cellular foam, impregnated with a modified flame retardant synthetic resin
Building Classification - DIN 4102	B1, self-extinguishing, P-NDS 04-229
Exposure Class for Impregnated Foam Tapes - DIN 18542	BG1
Thermal Conductivity - DIN 52612	$\lambda_{10} \leq 0.048$ W/m/K
Vapour Resistivity - DIN 52615	$\mu \leq 100$
Working Temperature Range	-30°C to +90°C
Resistance to Root Penetration - DIN 4062	The requirements of DIN standards are met
Air Permeability - DIN 18542	$a < 0.1$ m ³ / [h.m.(daPa) ^{2/3}]
Weathertight Against Driving Rain - DIN 18542 / DIN EN 1027	The requirements of the DIN standard are met up to the described joint sizes, giving a minimum of 600 Pa, independently supervised by MPA Hannover
Compatibility with Conventional Construction Materials - DIN 18542	No signs of corrosion observed on iron, zinc, steel, galvanised steel, aluminium, and copper. No adverse effects with concrete, aerated concrete, brick, some stones, PVC, Plexiglas or timber
Life Expectancy	> 25 years
Performance Guarantee	10 year warranty* on performance

*Under the conditions specified by the manufacturers. Only valid on receipt of the correct registration documents in accordance with terms and conditions, available on request.

Application Instructions

- Detailed application instructions are available and provided with every order.
- After measuring the width of the joint and ensuring the total movement is within the capacity of the selected tape size, application may proceed.
- Cut off the preliminary strip and the opening wedge at the start of the roll.
- If installing tape into a construction joint it may be applied either horizontally or vertically (from bottom to top.) However, when applying to a door or window frame the horizontal seals must be applied before the vertical ones (Fig. 1.) Tape must be applied with the adhesive side to the frame when working with fenestration but may be applied in any order when working with construction joints. In both cases do not stretch the tape. When working in damp or cold conditions a wood wedge should be used to hold the tape in position until it is expanded. Ensure the tape is recessed by a minimum of 2 mm. (Fig. 4.)
- When calculating the length of tape to be fitted, add 10 mm/m to the actual joint length. Be sure to measure the opening and not the window.
- At the end of a roll, cut off the tape wedge finish. Repeat the process with a new roll, making a close compressed butt connection as shown in Fig. 2. At cross of crucifix joint, install as per Fig. 3.

- If the seal is to be tested using the standard hose test, we recommend a minimum tape width of 25 mm. The tape should be allowed 7 - 10 days conditioning in the joint before testing.

Health & Safety Precautions

Product Safety Data Sheets must be read and understood before use.

Storage

Store rolls horizontally and in original carton between +1°C and +25°C in dry conditions and away from direct sunlight. Re-seal packaging between use to prevent expansion during storage.

Shelf Life

2 years when stored in its original unopened containers.

Technical Service

Tremco illbruck has a team of experienced Technical Sales Representatives who provide assistance in the selection and specification of products. For more detailed information, service and advice, please call Customer Services on 0191 419 0505.

Guarantee / Warranty

Tremco illbruck products are manufactured to rigid standards of quality. Any product which has been applied (a) in accordance with Tremco illbruck written instructions and (b) in any application recommended by Tremco illbruck, but which is proved to be

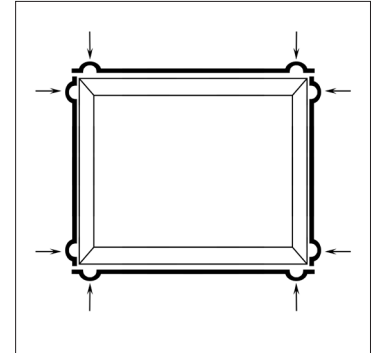


Fig. 1 – Tape application at corners
 Note oversize length 10 mm/m

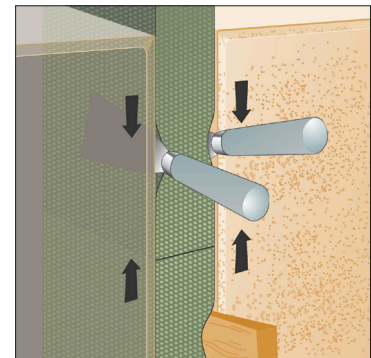


Fig. 2 – Compression of tape to make weathertight butt joints

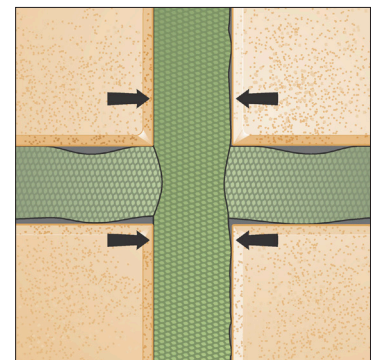


Fig. 3 – Compression of tape to make weathertight cross joints

defective, will be replaced free of charge. No liability can be accepted for the information provided in this leaflet although it is published in good faith and believed to be correct.

Tremco illbruck Limited reserves the right to alter product specifications without prior notice, in line with Company policy of continuous development and improvement.